



CE Tooling

LOUVERS for PRESS BRAKES

Single, Double, Triple...

STANDARD STOCK SIZES • FORM DOWN
American Style Tongue • Material through 10ga M.S.



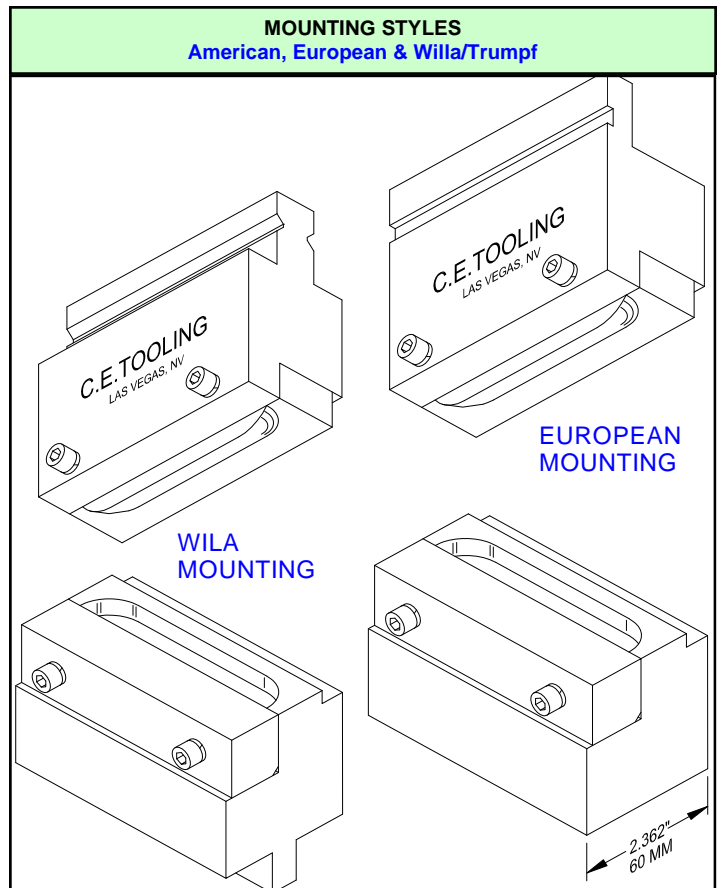
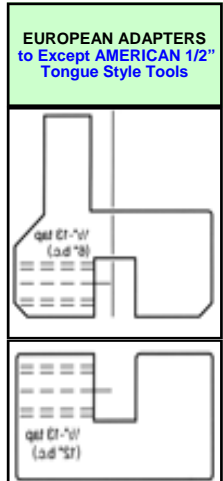
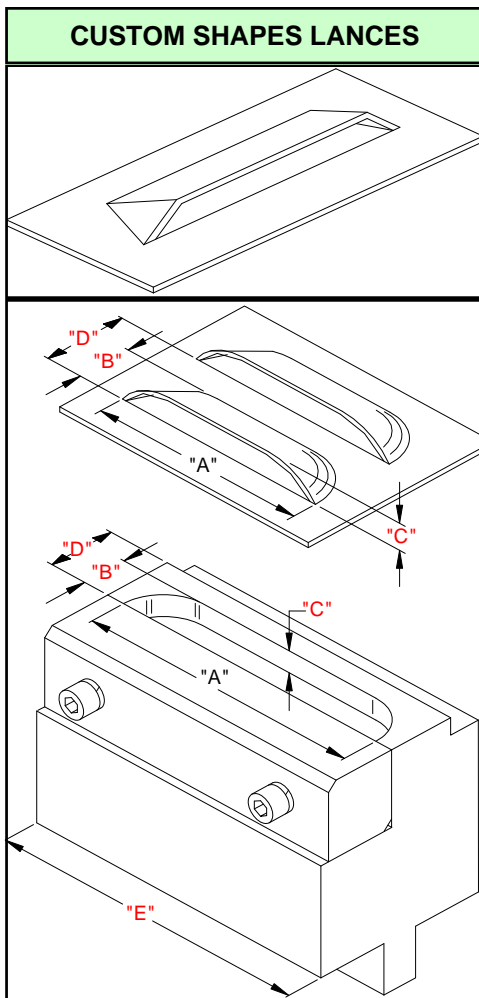
A=Length	2"	3"	3 1/2"	4"	5"	6"	8"	10"
B=Width	1/2"	5/8"		3/4"			1"	
C=Height	3/16	1/4"		5/16			1/2"	
D=Spacing Cut to Cut	3/4"	7/8"		1-1/8"			1-3/8"	
E=Base	2 1/2	3 1/2	4"	4 1/2	5 1/2	6 1/2	8 3/4	10 3/4
American	\$1,396	1412	\$1,439	\$1,452	\$1,467	\$1575	\$1,820	\$1,972
European	\$1700	\$1,716	\$1,744	\$1,744	\$1771	\$1880	\$2,124	\$2,277
Willa/Trumpf	\$1801	\$1,818	\$1,847	\$1,847	\$1,873	\$1,973	\$2,327	\$2,479

Non Standard, Closest match to above + \$250 5-12 work days

Sets for Mounting in Die Set for Stamping Press + \$280

Upgrade to semi-high speed steel to extended life in stainless material **+\$250**

Multiple Louvers in a Single Hit. Side by side or Up & Down **+\$1,250per**



Note: Willa/Trumpf Upper Tang:
 Our Default is Willa Original style having 20mm wide tang. We can also offer the Willa American .5" wide tang at same price. Both style still louvers still require shim adjustment of lower unit during setup.